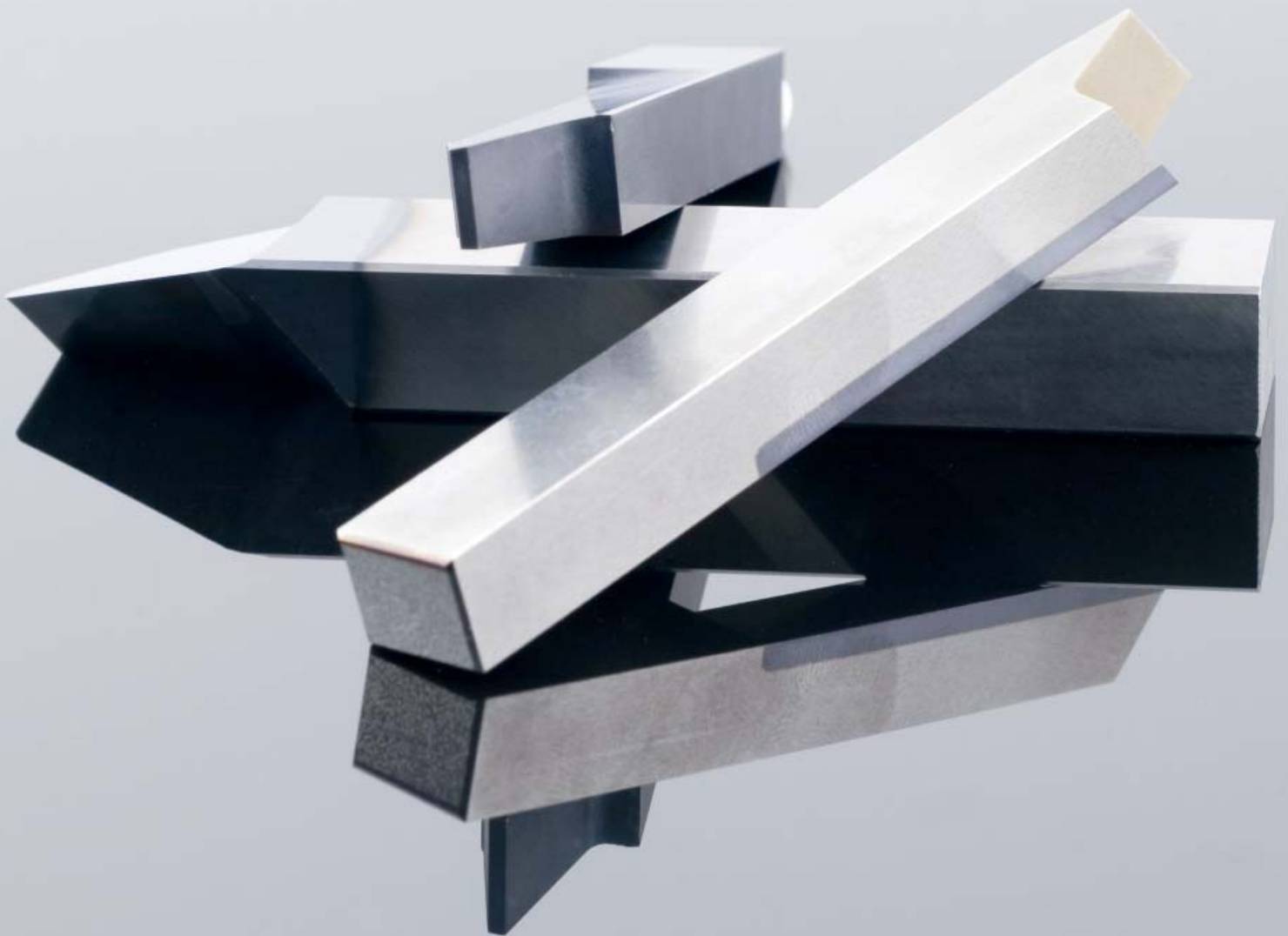
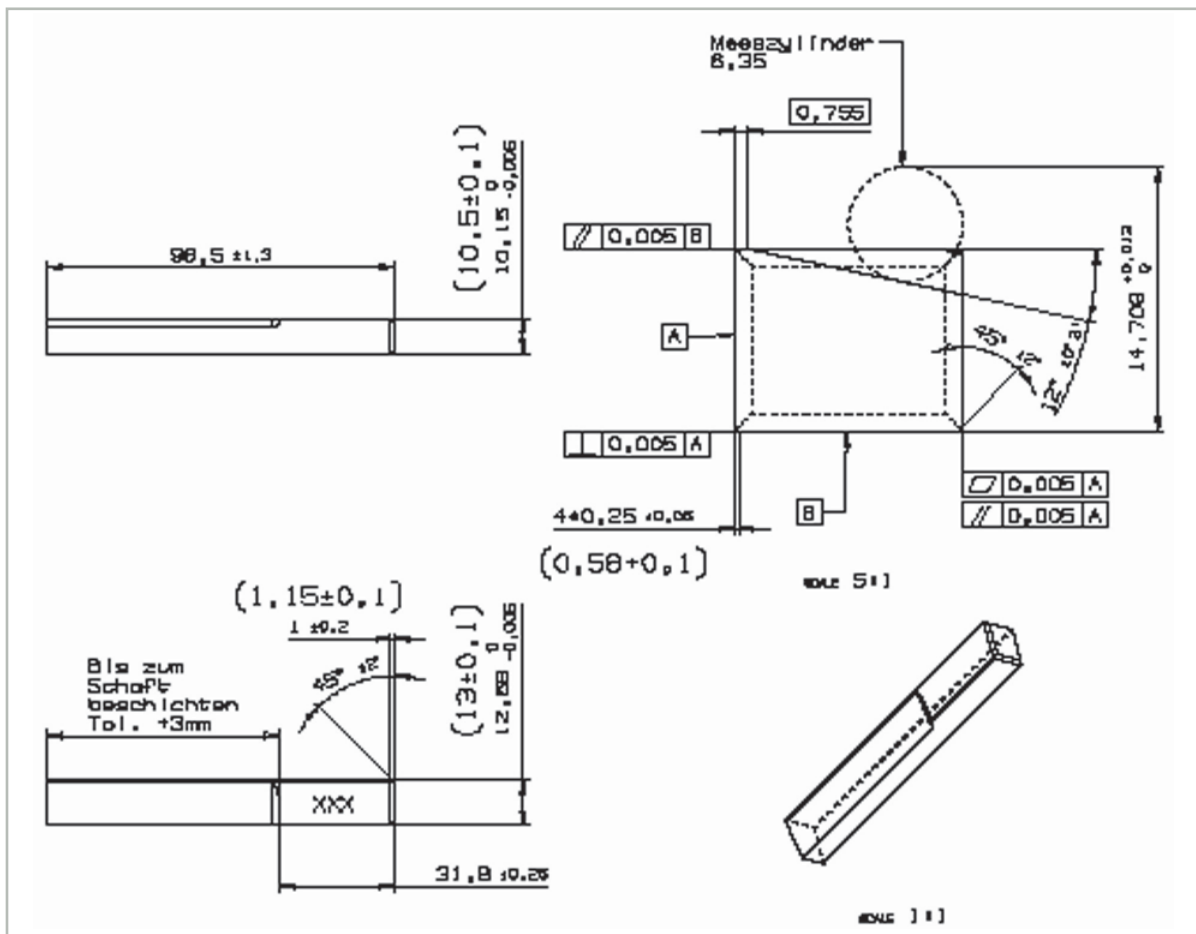


# STICK BLADES & BEVEL GEARS



Star SU manufactures carbide and HSS stick blades for bevel cutting from a solid piece, as shown in the example below.

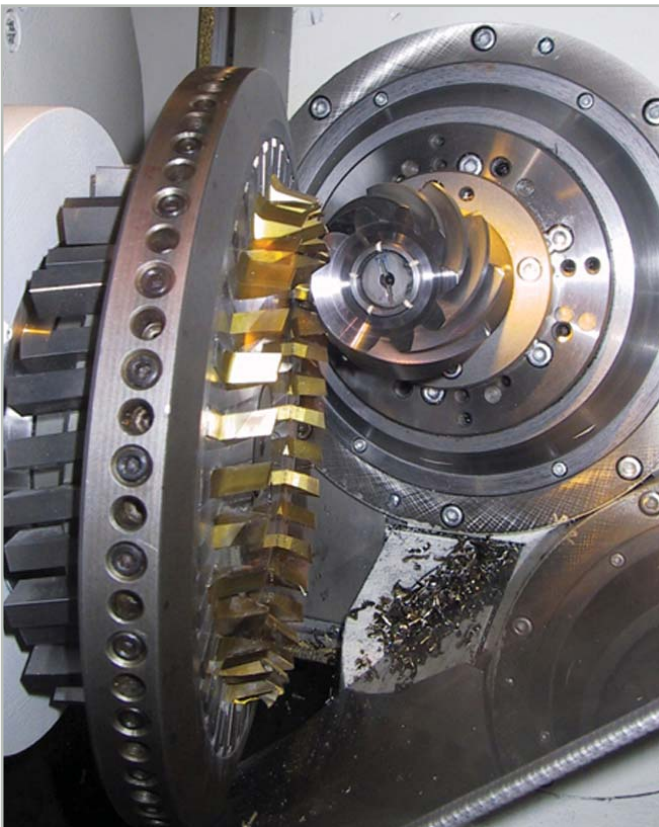


Example of a stick blade drawing





Stick blades are used in the manufacture of bevel gears. Star SU supplies HSS and carbide stick blades to manufacturers of spiral bevel gears. You can order them from your Star SU sales representative.



#### FEATURES OF STAR SU STICK BLADES

- 4-side, face-ground and pre-profiled sticks
- Interpolated finish grinding of profile according to bevel gear geometry on request
- Ultra fine grained carbide substrates
- All PVD coatings
- Re-grinding services

Star SU will manage your stick blade inventory, resharpening, recoating, pickup and delivery. Contact Star SU for more details.



Star SU LLC  
5200 Prairie Stone Parkway, Suite 100  
Hoffman Estates, IL 60192  
USA  
Tel.: 847 649 1450  
Fax: 847 649 0112  
sales@star-su.com

Star SU LLC  
Sales Office Michigan  
23461 Industrial Park Drive  
Farmington Hills, MI 48335-2855  
USA  
Tel.: 248 474 8200  
Fax: 248 474 9518  
sales@star-su.com



Star SU LLC, Hoffman Estates/Illinois

