

INCH



## Single Flute Gundrill Stock List

Same day shipping.

Technical support available.

Be sure to ask about our 72-hour custom gundrills

**Call 877-635-3488 for availability**

# Single Flute Gundrill Stock List Inch



Diameter (inch)	Overall Length (inch)	1-3 piece drills	4-5 piece drills	6-11 piece drills	12-25 piece drills	Shank Size (inch)	Shank Type
0.0937	16	\$117.42	\$112.27	\$104.03	\$95.79	1/2 x 1 1/2	B
0.1250	10	\$83.43	\$76.22	\$72.10	\$65.92	3/4 x 2 3/4	B
0.1250	16	\$89.61	\$81.37	\$76.22	\$69.01	3/4 x 2 3/4	B
0.1285	10	\$85.49	\$80.34	\$74.16	\$65.92	3/4 x 2 3/4	B
0.1285	16	\$91.67	\$85.49	\$78.28	\$71.07	3/4 x 2 3/4	B
0.1285	22	\$98.88	\$92.70	\$85.49	\$77.25	3/4 x 2 3/4	B
0.1285	28	\$100.94	\$96.82	\$87.55	\$78.28	3/4 x 2 3/4	B
0.1360	10	\$87.55	\$83.43	\$75.19	\$66.95	3/4 x 2 3/4	A
0.1360	16	\$94.76	\$86.52	\$78.28	\$72.10	3/4 x 2 3/4	A
0.1360	22	\$100.94	\$94.76	\$86.52	\$77.25	3/4 x 2 3/4	A
0.1406	10	\$85.49	\$78.28	\$72.10	\$64.89	3/4 x 2 3/4	A
0.1406	16	\$89.61	\$85.49	\$77.25	\$69.01	3/4 x 2 3/4	A
0.1406	22	\$96.82	\$89.61	\$83.43	\$74.16	3/4 x 2 3/4	A
0.1470	10	\$86.52	\$79.31	\$73.13	\$65.92	3/4 x 2 3/4	A
0.1470	16	\$89.61	\$85.49	\$77.25	\$69.01	3/4 x 2 3/4	A
0.1470	22	\$97.85	\$89.61	\$83.43	\$74.16	3/4 x 2 3/4	A
0.1495	10	\$85.49	\$79.31	\$72.10	\$64.89	3/4 x 2 3/4	A
0.1495	16	\$90.64	\$85.49	\$78.28	\$69.01	3/4 x 2 3/4	A
0.1562	10	\$83.43	\$76.22	\$71.07	\$64.89	3/4 x 2 3/4	A
0.1562	16	\$85.49	\$80.34	\$74.16	\$65.92	3/4 x 2 3/4	A
0.1562	22	\$91.67	\$87.55	\$78.28	\$72.10	3/4 x 2 3/4	A
0.1562	28	\$97.85	\$89.61	\$83.43	\$76.22	3/4 x 2 3/4	A
0.1562	36	\$101.97	\$95.79	\$87.55	\$77.25	3/4 x 2 3/4	A
0.1575	10	\$83.43	\$77.25	\$72.10	\$64.89	3/4 x 2 3/4	A
0.1575	16	\$87.55	\$83.43	\$76.22	\$66.95	3/4 x 2 3/4	A
0.1575	22	\$92.70	\$87.55	\$80.34	\$72.10	3/4 x 2 3/4	A
0.1590	10	\$83.43	\$77.25	\$72.10	\$64.89	3/4 x 2 3/4	A
0.1590	16	\$87.55	\$83.43	\$76.22	\$66.95	3/4 x 2 3/4	A
0.1590	22	\$92.70	\$87.55	\$80.34	\$72.10	3/4 x 2 3/4	A
0.1610	10	\$83.43	\$77.25	\$72.10	\$64.89	3/4 x 2 3/4	A
0.1610	16	\$87.55	\$81.37	\$76.22	\$66.95	3/4 x 2 3/4	A
0.1610	22	\$92.70	\$87.55	\$80.34	\$72.10	3/4 x 2 3/4	A
0.1660	10	\$83.43	\$76.22	\$73.13	\$64.89	3/4 x 2 3/4	A
0.1660	16	\$87.55	\$83.43	\$76.22	\$66.95	3/4 x 2 3/4	A
0.1660	22	\$92.70	\$87.55	\$81.37	\$72.10	3/4 x 2 3/4	A
0.1719	10	\$83.43	\$77.25	\$72.10	\$64.89	3/4 x 2 3/4	A
0.1719	16	\$87.55	\$81.37	\$76.22	\$66.95	3/4 x 2 3/4	A

Diameter (inch)	Overall Length (inch)	1-3 piece drills	4-5 piece drills	6-11 piece drills	12-25 piece drills	Shank Size (inch)	Shank Type
0.1719	22	\$92.70	\$87.55	\$80.34	\$72.10	3/4 x 2 3/4	A
0.1770	10	\$81.37	\$76.22	\$71.07	\$64.89	3/4 x 2 3/4	A
0.1770	16	\$87.55	\$80.34	\$74.16	\$66.95	3/4 x 2 3/4	A
0.1770	22	\$91.67	\$85.49	\$78.28	\$72.10	3/4 x 2 3/4	A
0.1800	10	\$81.37	\$76.22	\$72.10	\$64.89	3/4 x 2 3/4	A
0.1800	16	\$87.55	\$80.34	\$74.16	\$65.92	3/4 x 2 3/4	A
0.1800	22	\$91.67	\$85.49	\$79.31	\$71.07	3/4 x 2 3/4	A
0.1850	10	\$83.43	\$76.22	\$72.10	\$64.89	3/4 x 2 3/4	A
0.1850	16	\$87.55	\$80.34	\$74.16	\$66.95	3/4 x 2 3/4	A
0.1850	22	\$91.67	\$85.49	\$77.25	\$72.10	3/4 x 2 3/4	A
0.1875	10	\$76.22	\$73.13	\$64.89	\$61.80	3/4 x 2 3/4	A
0.1875	16	\$83.43	\$76.22	\$72.10	\$64.89	3/4 x 2 3/4	A
0.1875	22	\$84.46	\$78.28	\$72.10	\$64.89	3/4 x 2 3/4	A
0.1875	28	\$94.76	\$87.55	\$80.34	\$73.13	3/4 x 2 3/4	A
0.1875	36	\$100.94	\$95.79	\$87.55	\$78.28	3/4 x 2 3/4	A
0.2031	10	\$77.25	\$72.10	\$64.89	\$60.77	3/4 x 2 3/4	A
0.2031	16	\$79.31	\$74.16	\$69.01	\$62.83	3/4 x 2 3/4	A
0.2031	22	\$85.49	\$78.28	\$74.16	\$64.89	3/4 x 2 3/4	A
0.2031	28	\$92.70	\$87.55	\$79.31	\$72.10	3/4 x 2 3/4	A
0.2031	36	\$98.88	\$94.76	\$85.49	\$77.25	3/4 x 2 3/4	A
0.2130	10	\$76.22	\$72.10	\$64.89	\$60.77	3/4 x 2 3/4	A
0.2130	16	\$80.34	\$76.22	\$71.07	\$62.83	3/4 x 2 3/4	A
0.2130	22	\$87.55	\$83.43	\$76.22	\$67.98	3/4 x 2 3/4	A
0.2130	28	\$89.61	\$85.49	\$79.31	\$71.07	3/4 x 2 3/4	A
0.2130	36	\$91.67	\$87.55	\$83.43	\$73.13	3/4 x 2 3/4	A
0.2187	10	\$76.22	\$72.10	\$71.07	\$59.74	3/4 x 2 3/4	A
0.2187	16	\$77.25	\$74.16	\$66.95	\$61.80	3/4 x 2 3/4	A
0.2187	22	\$83.43	\$76.22	\$73.13	\$64.89	3/4 x 2 3/4	A
0.2187	28	\$89.61	\$85.49	\$77.25	\$69.01	3/4 x 2 3/4	A
0.2187	36	\$96.82	\$89.61	\$84.46	\$76.22	3/4 x 2 3/4	A
0.2210	10	\$76.22	\$74.16	\$66.95	\$60.77	3/4 x 2 3/4	A
0.2210	16	\$79.31	\$76.22	\$69.01	\$62.83	3/4 x 2 3/4	A
0.2344	10	\$76.22	\$72.10	\$64.89	\$59.74	3/4 x 2 3/4	A
0.2344	16	\$76.22	\$74.16	\$66.95	\$60.77	3/4 x 2 3/4	A
0.2344	22	\$83.43	\$76.22	\$72.10	\$64.89	3/4 x 2 3/4	A
0.2344	28	\$87.55	\$83.43	\$76.22	\$69.01	3/4 x 2 3/4	A
0.2344	36	\$100.94	\$87.55	\$83.43	\$74.16	3/4 x 2 3/4	A

# Single Flute Gundrill Stock List Inch



Diameter (inch)	Overall Length (inch)	1-3 piece drills	4-5 piece drills	6-11 piece drills	12-25 piece drills	Shank Size (inch)	Shank Type
0.2362	10	\$76.22	\$72.10	\$65.92	\$59.74	3/4 x 2 3/4	A
0.2362	16	\$78.28	\$75.19	\$66.95	\$62.83	3/4 x 2 3/4	A
0.2362	22	\$84.46	\$79.31	\$72.10	\$64.89	3/4 x 2 3/4	A
0.2500	10	\$74.16	\$69.01	\$64.89	\$58.71	3/4 x 2 3/4	A
0.2500	16	\$77.25	\$72.10	\$64.89	\$60.77	3/4 x 2 3/4	A
0.2500	22	\$81.37	\$76.22	\$71.07	\$62.83	3/4 x 2 3/4	A
0.2500	28	\$87.55	\$83.43	\$76.22	\$66.95	3/4 x 2 3/4	A
0.2500	36	\$94.76	\$87.55	\$80.34	\$74.16	3/4 x 2 3/4	A
0.2500	48	\$105.06	\$98.88	\$91.67	\$81.37	3/4 x 2 3/4	A
0.257	10	\$76.22	\$71.07	\$64.89	\$87.55	3/4 x 2 3/4	A
0.257	16	\$78.28	\$74.16	\$67.98	\$61.80	3/4 x 2 3/4	A
0.257	22	\$81.37	\$77.25	\$69.01	\$64.89	3/4 x 2 3/4	A
0.2656	10	\$76.22	\$72.10	\$64.89	\$59.74	3/4 x 2 3/4	A
0.2656	16	\$77.25	\$74.16	\$66.95	\$60.77	3/4 x 2 3/4	A
0.2656	22	\$81.37	\$76.22	\$72.10	\$64.89	3/4 x 2 3/4	A
0.2656	28	\$87.55	\$83.43	\$76.22	\$67.98	3/4 x 2 3/4	A
0.2656	36	\$94.76	\$87.55	\$80.34	\$73.13	3/4 x 2 3/4	A
0.2812	10	\$77.25	\$72.10	\$65.92	\$60.77	3/4 x 2 3/4	A
0.2812	16	\$79.31	\$74.16	\$66.95	\$61.80	3/4 x 2 3/4	A
0.2812	22	\$83.43	\$76.22	\$72.10	\$64.89	3/4 x 2 3/4	A
0.2812	28	\$87.55	\$84.46	\$76.22	\$71.07	3/4 x 2 3/4	A
0.2812	36	\$94.76	\$87.55	\$81.37	\$74.16	3/4 x 2 3/4	A
0.2812	48	\$108.15	\$99.91	\$92.70	\$84.46	3/4 x 2 3/4	A
0.2969	10	\$76.22	\$72.10	\$64.89	\$61.80	3/4 x 2 3/4	A
0.2969	16	\$76.22	\$73.13	\$65.92	\$63.86	3/4 x 2 3/4	A
0.2969	22	\$81.37	\$76.22	\$72.10	\$64.89	3/4 x 2 3/4	A
0.2969	28	\$87.55	\$81.37	\$76.22	\$69.01	3/4 x 2 3/4	A
0.2969	36	\$92.70	\$87.55	\$79.31	\$74.16	3/4 x 2 3/4	A
0.3125	10	\$79.31	\$76.22	\$69.01	\$61.80	3/4 x 2 3/4	A
0.3125	16	\$81.37	\$76.22	\$71.07	\$64.89	3/4 x 2 3/4	A
0.3125	22	\$85.49	\$78.28	\$73.13	\$64.89	3/4 x 2 3/4	A
0.3125	28	\$89.61	\$83.43	\$76.22	\$71.07	3/4 x 2 3/4	A
0.3125	36	\$95.79	\$88.58	\$83.43	\$74.16	3/4 x 2 3/4	A
0.3125	48	\$109.18	\$99.91	\$92.70	\$84.46	3/4 x 2 3/4	A
0.3150	10	\$79.31	\$76.22	\$69.01	\$61.80	3/4 x 2 3/4	A
0.3150	16	\$81.37	\$76.22	\$71.07	\$64.89	3/4 x 2 3/4	A
0.3150	22	\$85.49	\$78.28	\$73.13	\$64.89	3/4 x 2 3/4	A

Diameter (inch)	Overall Length (inch)	1-3 piece drills	4-5 piece drills	6-11 piece drills	12-25 piece drills	Shank Size (inch)	Shank Type
0.3150	36	\$95.79	\$89.61	\$81.37	\$74.16	3/4 x 2 3/4	A
0.3281	10	\$80.34	\$76.22	\$69.01	\$62.83	3/4 x 2 3/4	A
0.3281	16	\$81.37	\$76.22	\$72.10	\$64.89	3/4 x 2 3/4	A
0.3281	22	\$87.55	\$81.37	\$74.16	\$66.95	3/4 x 2 3/4	A
0.3281	28	\$90.64	\$85.49	\$77.25	\$71.07	3/4 x 2 3/4	A
0.3281	36	\$95.79	\$89.61	\$83.43	\$74.16	3/4 x 2 3/4	A
0.3437	10	\$81.37	\$76.22	\$71.07	\$64.89	3/4 x 2 3/4	A
0.3437	16	\$84.46	\$77.25	\$72.10	\$64.89	3/4 x 2 3/4	A
0.3437	22	\$87.55	\$81.37	\$76.22	\$66.95	3/4 x 2 3/4	A
0.3437	28	\$91.67	\$85.49	\$77.25	\$71.07	3/4 x 2 3/4	A
0.3437	36	\$96.82	\$88.58	\$83.43	\$73.13	3/4 x 2 3/4	A
0.3437	48	\$110.21	\$100.94	\$94.76	\$84.46	3/4 x 2 3/4	A
0.3543	10	\$78.28	\$74.16	\$69.01	\$63.86	3/4 x 2 3/4	A
0.3543	16	\$81.37	\$76.22	\$72.10	\$64.89	3/4 x 2 3/4	A
0.3543	22	\$84.46	\$78.28	\$73.13	\$65.92	3/4 x 2 3/4	A
0.3594	10	\$83.43	\$77.25	\$73.13	\$64.89	3/4 x 2 3/4	A
0.3594	16	\$85.49	\$79.31	\$74.16	\$65.92	3/4 x 2 3/4	A
0.3594	22	\$87.55	\$81.37	\$76.22	\$67.98	3/4 x 2 3/4	A
0.3594	28	\$91.67	\$87.55	\$78.28	\$71.07	3/4 x 2 3/4	A
0.3594	36	\$96.82	\$89.61	\$83.43	\$76.22	3/4 x 2 3/4	A
0.3750	10	\$84.46	\$78.28	\$73.13	\$64.89	3/4 x 2 3/4	A
0.3750	16	\$85.49	\$78.28	\$74.16	\$65.92	3/4 x 2 3/4	A
0.3750	22	\$91.67	\$85.49	\$77.25	\$72.10	3/4 x 2 3/4	A
0.3750	28	\$94.76	\$87.55	\$78.28	\$73.13	3/4 x 2 3/4	A
0.3750	36	\$97.85	\$90.64	\$83.43	\$76.22	3/4 x 2 3/4	A
0.3750	48	\$110.21	\$103.00	\$96.82	\$89.61	3/4 x 2 3/4	A
0.3906	10	\$86.52	\$80.34	\$74.16	\$66.95	3/4 x 2 3/4	A
0.3906	16	\$87.55	\$81.37	\$75.19	\$67.98	3/4 x 2 3/4	A
0.3906	22	\$90.64	\$85.49	\$78.28	\$72.10	3/4 x 2 3/4	A
0.3906	28	\$92.70	\$87.55	\$81.37	\$74.16	3/4 x 2 3/4	A
0.3906	36	\$98.88	\$91.67	\$84.46	\$76.22	3/4 x 2 3/4	A
0.3906	48	\$84.46	\$78.28	\$72.10	\$64.89	3/4 x 2 3/4	A
0.3937	10	\$85.49	\$79.31	\$73.13	\$65.92	3/4 x 2 3/4	A
0.3937	16	\$87.55	\$81.37	\$76.22	\$66.95	3/4 x 2 3/4	A
0.3937	22	\$91.67	\$87.55	\$80.34	\$72.10	3/4 x 2 3/4	A
0.3937	28	\$94.76	\$89.61	\$84.46	\$75.19	3/4 x 2 3/4	A
0.3937	36	\$98.88	\$91.67	\$85.49	\$76.22	3/4 x 2 3/4	A

# Single Flute Gundrill Stock List Inch



Diameter (inch)	Overall Length (inch)	1-3 piece drills	4-5 piece drills	6-11 piece drills	12-25 piece drills	Shank Size (inch)	Shank Type
0.3937	48	\$111.24	\$105.06	\$95.79	\$87.55	3/4 x 2 3/4	A
0.4062	10	\$85.49	\$80.34	\$74.16	\$65.92	3/4 x 2 3/4	A
0.4062	16	\$87.55	\$83.43	\$76.22	\$66.95	3/4 x 2 3/4	A
0.4062	22	\$91.67	\$87.55	\$80.34	\$72.10	3/4 x 2 3/4	A
0.4062	28	\$94.76	\$87.55	\$81.37	\$73.13	3/4 x 2 3/4	A
0.4062	36	\$98.88	\$91.67	\$85.49	\$76.22	3/4 x 2 3/4	A
0.4062	48	\$111.24	\$105.06	\$95.79	\$87.55	3/4 x 2 3/4	A
0.4375	10	\$87.55	\$81.37	\$74.16	\$66.95	3/4 x 2 3/4	A
0.4375	16	\$88.58	\$83.43	\$76.22	\$67.98	3/4 x 2 3/4	A
0.4375	22	\$94.76	\$87.55	\$80.34	\$74.16	3/4 x 2 3/4	A
0.4375	28	\$95.79	\$88.58	\$83.43	\$74.16	3/4 x 2 3/4	A
0.4375	36	\$99.91	\$94.76	\$87.55	\$78.28	3/4 x 2 3/4	A
0.4375	48	\$112.27	\$107.12	\$96.82	\$87.55	3/4 x 2 3/4	A
0.4531	10	\$87.55	\$81.37	\$76.22	\$66.95	3/4 x 2 3/4	A
0.4531	16	\$88.58	\$84.46	\$76.22	\$69.01	3/4 x 2 3/4	A
0.4531	22	\$94.76	\$87.55	\$81.37	\$73.13	3/4 x 2 3/4	A
0.4531	28	\$95.79	\$89.61	\$81.37	\$74.16	3/4 x 2 3/4	A
0.4531	36	\$100.94	\$95.79	\$87.55	\$79.31	3/4 x 2 3/4	A
0.4531	48	\$112.27	\$107.12	\$98.88	\$87.55	3/4 x 2 3/4	A
0.4687	10	\$84.46	\$81.37	\$76.22	\$66.95	3/4 x 2 3/4	A
0.4687	16	\$87.55	\$84.46	\$77.25	\$69.01	3/4 x 2 3/4	A
0.4687	22	\$95.79	\$88.58	\$81.37	\$73.13	3/4 x 2 3/4	A
0.4687	28	\$97.85	\$89.61	\$84.46	\$76.22	3/4 x 2 3/4	A
0.4687	36	\$100.94	\$84.46	\$87.55	\$78.28	3/4 x 2 3/4	A
0.4687	48	\$112.27	\$107.12	\$98.88	\$87.55	3/4 x 2 3/4	A
0.4844	10	\$87.55	\$83.43	\$76.22	\$73.13	3/4 x 2 3/4	A
0.4844	16	\$89.61	\$84.46	\$77.25	\$69.01	3/4 x 2 3/4	A
0.4844	22	\$94.76	\$88.58	\$81.37	\$74.16	3/4 x 2 3/4	A
0.4844	28	\$98.88	\$91.67	\$84.46	\$76.22	3/4 x 2 3/4	A
0.4844	36	\$100.94	\$95.79	\$87.55	\$77.25	3/4 x 2 3/4	A
0.5000	10	\$87.55	\$84.46	\$76.22	\$66.95	3/4 x 2 3/4	A
0.5000	16	\$89.61	\$85.49	\$78.28	\$69.01	3/4 x 2 3/4	A
0.5000	22	\$94.76	\$87.55	\$81.37	\$74.16	3/4 x 2 3/4	A
0.5000	28	\$98.88	\$87.55	\$81.37	\$76.22	3/4 x 2 3/4	A
0.5000	36	\$101.97	\$96.82	\$88.58	\$80.34	3/4 x 2 3/4	A
0.5000	48	\$116.39	\$108.15	\$98.88	\$88.58	3/4 x 2 3/4	A
0.5156	16	\$92.70	\$87.55	\$78.28	\$72.10	1 x 2 3/4	A

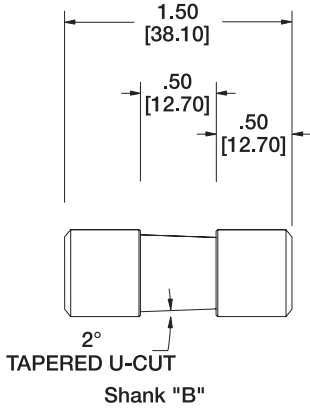
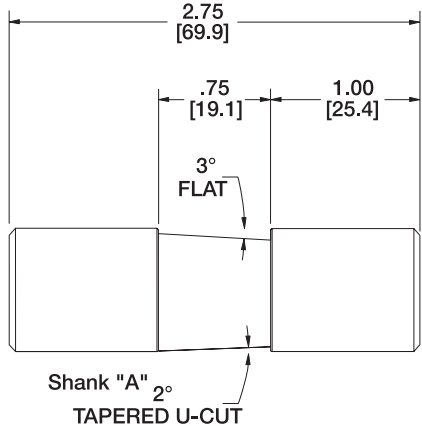
Diameter (inch)	Overall Length (inch)	1-3 piece drills	4-5 piece drills	6-11 piece drills	12-25 piece drills	Shank Size (inch)	Shank Type
0.5156	22	\$95.79	\$89.61	\$83.43	\$74.16	1 x 2 3/4	A
0.5156	36	\$107.12	\$98.88	\$89.61	\$80.34	1 x 2 3/4	A
0.5312	16	\$92.70	\$87.55	\$80.34	\$73.13	1 x 2 3/4	A
0.5312	22	\$96.82	\$89.61	\$83.43	\$76.22	1 x 2 3/4	A
0.5312	36	\$105.06	\$98.88	\$89.61	\$83.43	1 x 2 3/4	A
0.5312	48	\$119.48	\$110.21	\$103.00	\$91.67	1 x 2 3/4	A
0.5469	16	\$94.76	\$87.55	\$83.43	\$74.16	1 x 2 3/4	A
0.5469	22	\$98.88	\$92.70	\$84.46	\$76.22	1 x 2 3/4	A
0.5469	36	\$107.12	\$99.91	\$92.70	\$83.43	1 x 2 3/4	A
0.5625	16	\$98.88	\$94.76	\$87.55	\$77.25	1 x 2 3/4	A
0.5625	22	\$103.00	\$97.85	\$88.58	\$79.31	1 x 2 3/4	A
0.5625	36	\$112.27	\$105.06	\$97.85	\$87.55	1 x 2 3/4	A
0.5625	48	\$127.72	\$121.54	\$110.21	\$98.88	1 x 2 3/4	A
0.5781	16	\$107.12	\$99.91	\$90.64	\$83.43	1 x 2 3/4	A
0.5781	22	\$110.21	\$101.97	\$94.76	\$84.46	1 x 2 3/4	A
0.5781	36	\$116.39	\$110.21	\$99.91	\$90.64	1 x 2 3/4	A
0.5937	16	\$108.15	\$99.91	\$94.76	\$83.43	1 x 2 3/4	A
0.5937	22	\$110.21	\$103.00	\$94.76	\$85.49	1 x 2 3/4	A
0.5937	36	\$119.48	\$110.21	\$100.94	\$90.64	1 x 2 3/4	A
0.5937	48	\$133.90	\$125.66	\$115.36	\$104.03	1 x 2 3/4	A
0.6094	16	\$112.27	\$105.06	\$96.82	\$87.55	1 x 2 3/4	A
0.6094	22	\$116.39	\$108.15	\$98.88	\$89.61	1 x 2 3/4	A
0.6094	36	\$121.54	\$114.33	\$107.12	\$95.79	1 x 2 3/4	A
0.6250	16	\$113.30	\$107.12	\$98.88	\$87.55	1 x 2 3/4	A
0.6250	22	\$116.39	\$110.21	\$99.91	\$89.61	1 x 2 3/4	A
0.6250	28	\$121.54	\$112.27	\$103.00	\$92.70	1 x 2 3/4	A
0.6250	36	\$122.57	\$115.36	\$107.12	\$94.76	1 x 2 3/4	A
0.6250	48	\$139.05	\$132.87	\$121.54	\$110.21	1 x 2 3/4	A
0.6406	16	\$113.30	\$105.06	\$98.88	\$87.55	1 x 2 3/4	A
0.6406	22	\$119.48	\$110.21	\$99.91	\$90.64	1 x 2 3/4	A
0.6406	36	\$123.60	\$116.39	\$109.18	\$96.82	1 x 2 3/4	A
0.6562	16	\$116.39	\$110.21	\$98.88	\$88.58	1 x 2 3/4	A
0.6562	22	\$120.51	\$111.24	\$100.94	\$91.67	1 x 2 3/4	A
0.6562	36	\$125.66	\$117.42	\$108.15	\$98.88	1 x 2 3/4	A
0.6719	16	\$117.42	\$110.21	\$99.91	\$89.61	1 x 2 3/4	A
0.6719	22	\$121.54	\$112.27	\$103.00	\$92.70	1 x 2 3/4	A
0.6719	36	\$126.69	\$119.48	\$110.21	\$98.88	1 x 2 3/4	A

# Single Flute Gundrill Stock List Inch



Diameter (inch)	Overall Length (inch)	1-3 piece drills	4-5 piece drills	6-11 piece drills	12-25 piece drills	Shank Size (inch)	Shank Type
0.6875	16	\$119.48	\$111.24	\$100.94	\$91.67	1 x 2 3/4	A
0.6875	22	\$121.54	\$113.30	\$104.03	\$90.64	1 x 2 3/4	A
0.6875	36	\$127.72	\$121.54	\$110.21	\$98.88	1 x 2 3/4	A
0.6875	48	\$144.20	\$134.93	\$122.57	\$111.24	1 x 2 3/4	A
0.7031	22	\$121.54	\$114.33	\$107.12	\$95.79	1 x 2 3/4	A
0.7031	36	\$124.63	\$121.54	\$110.21	\$99.91	1 x 2 3/4	A
0.7031	48	\$145.23	\$135.96	\$123.60	\$112.27	1 x 2 3/4	A
0.7187	16	\$121.54	\$112.27	\$103.00	\$92.70	1 x 2 3/4	A
0.7187	22	\$122.57	\$115.36	\$105.06	\$95.79	1 x 2 3/4	A
0.7187	36	\$127.72	\$121.54	\$111.24	\$99.91	1 x 2 3/4	A
0.7344	16	\$121.54	\$112.27	\$104.03	\$94.76	1 x 2 3/4	A
0.7344	22	\$124.63	\$116.39	\$105.06	\$96.82	1 x 2 3/4	A
0.7344	36	\$127.72	\$121.54	\$111.24	\$99.91	1 x 2 3/4	A
0.7500	16	\$126.69	\$117.42	\$110.21	\$98.88	1 x 2 3/4	A
0.7500	22	\$127.72	\$121.54	\$111.24	\$99.91	1 x 2 3/4	A
0.7500	28	\$131.84	\$122.57	\$114.33	\$101.97	1 x 2 3/4	A
0.7500	36	\$133.90	\$125.66	\$115.36	\$103.00	1 x 2 3/4	A
0.7500	48	\$147.29	\$138.02	\$132.87	\$121.54	1 x 2 3/4	A

# Single Flute Gundrill Stock List Inch



**NOTE:**  
**Inch**  
**[ Metric ]**



Star SU LLC  
5200 Prairie Stone Parkway,  
Suite 100  
Hoffman Estates, IL 60192  
Tel.: 847 649 1450  
Fax: 847 649 0112  
e-mail: sales@star-su.com  
web: www.star-su.com

Star Cutter Company  
23461 Industrial Park Drive  
Farmington Hills, MI 49629-0728  
Tel.: 231 264 5661  
Fax: 231 264 5663  
e-mail: sales@starcutter.com  
web: www.starcutter.com