

# Single Flute Gundrill Stock List



Same day shipping.  
Technical support available.  
Be sure to ask about our 72-hour custom gundrills.

Call **877-635-3488** for availability

# Single Flute Gundrill Stock List



Diameter (inches/mm)	Overall (inches/mm)	1-3 Drills	4-5 Drills	6-11 Drills	12-25 Drills	Shank Size (inches/mm)	Shank Typ
0.0937 (2.380)	16 (406)	\$108	\$103	\$95	\$88	1/2 x 1-1/2 (12.7 - 38.1)	B
0.1250 (3.175)	10 (254)	\$75	\$69	\$65	\$58	3/4 x 2-3/4 (19.05 - 70)	B
0.1250 (3.175)	16 (406)	\$82	\$74	\$69	\$61	3/4 x 2-3/4 (19.05 - 70)	B
0.1285 (3.264)	10 (254)	\$77	\$73	\$67	\$58	3/4 x 2-3/4 (19.05 - 70)	B
0.1285 (3.264)	16 (406)	\$84	\$77	\$71	\$62	3/4 x 2-3/4 (19.05 - 70)	B
0.1285 (3.264)	22 (559)	\$90	\$85	\$77	\$68	3/4 x 2-3/4 (19.05 - 70)	B
0.1285 (3.264)	28 (711)	\$92	\$88	\$80	\$69	3/4 x 2-3/4 (19.05 - 70)	B
0.1360 (3.454)	10 (254)	\$80	\$75	\$68	\$59	3/4 x 2-3/4 (19.05 - 70)	A
0.1360 (3.454)	16 (406)	\$86	\$79	\$71	\$63	3/4 x 2-3/4 (19.05 - 70)	A
0.1360 (3.454)	22 (559)	\$92	\$86	\$79	\$68	3/4 x 2-3/4 (19.05 - 70)	A
0.1406 (3.571)	10 (254)	\$77	\$71	\$65	\$57	3/4 x 2-3/4 (19.05 - 70)	A
0.1406 (3.571)	16 (406)	\$82	\$77	\$70	\$61	3/4 x 2-3/4 (19.05 - 70)	A
0.1406 (3.571)	22 (559)	\$88	\$82	\$75	\$65	3/4 x 2-3/4 (19.05 - 70)	A
0.1470 (3.734)	10 (254)	\$79	\$72	\$66	\$58	3/4 x 2-3/4 (19.05 - 70)	A
0.1470 (3.734)	16 (406)	\$82	\$77	\$70	\$61	3/4 x 2-3/4 (19.05 - 70)	A
0.1470 (3.734)	22 (559)	\$89	\$82	\$75	\$65	3/4 x 2-3/4 (19.05 - 70)	A
0.1495 (3.797)	10 (254)	\$77	\$72	\$65	\$57	3/4 x 2-3/4 (19.05 - 70)	A
0.1495 (3.797)	16 (406)	\$83	\$77	\$71	\$61	3/4 x 2-3/4 (19.05 - 70)	A
0.1562 (3.967)	10 (254)	\$75	\$69	\$64	\$57	3/4 x 2-3/4 (19.05 - 70)	A
0.1562 (3.967)	16 (406)	\$77	\$73	\$67	\$58	3/4 x 2-3/4 (19.05 - 70)	A
0.1562 (3.967)	22 (559)	\$84	\$80	\$71	\$63	3/4 x 2-3/4 (19.05 - 70)	A
0.1562 (3.967)	28 (711)	\$89	\$82	\$75	\$67	3/4 x 2-3/4 (19.05 - 70)	A
0.1562 (3.967)	36 (914)	\$93	\$87	\$80	\$68	3/4 x 2-3/4 (19.05 - 70)	A
0.1575 (4.000)	10 (254)	\$75	\$70	\$65	\$57	3/4 x 2-3/4 (19.05 - 70)	A
0.1575 (4.000)	16 (406)	\$80	\$75	\$69	\$59	3/4 x 2-3/4 (19.05 - 70)	A
0.1575 (4.000)	22 (559)	\$85	\$80	\$73	\$63	3/4 x 2-3/4 (19.05 - 70)	A
0.1590 (4.039)	10 (254)	\$75	\$70	\$65	\$57	3/4 x 2-3/4 (19.05 - 70)	A
0.1590 (4.039)	16 (406)	\$80	\$75	\$69	\$59	3/4 x 2-3/4 (19.05 - 70)	A
0.1590 (4.039)	22 (559)	\$85	\$80	\$73	\$63	3/4 x 2-3/4 (19.05 - 70)	A
0.1610 (4.089)	10 (254)	\$75	\$70	\$65	\$57	3/4 x 2-3/4 (19.05 - 70)	A
0.1610 (4.089)	16 (406)	\$80	\$74	\$69	\$59	3/4 x 2-3/4 (19.05 - 70)	A
0.1610 (4.089)	22 (559)	\$85	\$80	\$73	\$63	3/4 x 2-3/4 (19.05 - 70)	A

Diameter (inches/mm)	Overall (inches/mm)	1-3 Drills	4-5 Drills	6-11 Drills	12-25 Drills	Shank Size (inches/mm)	Shank Type
0.1660 (4.216)	10 (254)	\$75	\$69	\$66	\$57	3/4 x 2-3/4 (19.05 - 70)	A
0.1660 (4.216)	16 (406)	\$80	\$75	\$69	\$59	3/4 x 2-3/4 (19.05 - 70)	A
0.1660 (4.216)	22 (559)	\$85	\$80	\$74	\$63	3/4 x 2-3/4 (19.05 - 70)	A
0.1719 (4.366)	10 (254)	\$75	\$70	\$65	\$57	3/4 x 2-3/4 (19.05 - 70)	A
0.1719 (4.366)	16 (406)	\$80	\$74	\$69	\$59	3/4 x 2-3/4 (19.05 - 70)	A
0.1719 (4.366)	22 (559)	\$85	\$80	\$73	\$63	3/4 x 2-3/4 (19.05 - 70)	A
0.1770 (4.496)	10 (254)	\$74	\$69	\$64	\$57	3/4 x 2-3/4 (19.05 - 70)	A
0.1770 (4.496)	16 (406)	\$80	\$73	\$67	\$59	3/4 x 2-3/4 (19.05 - 70)	A
0.1770 (4.496)	22 (559)	\$84	\$77	\$71	\$63	3/4 x 2-3/4 (19.05 - 70)	A
0.1800 (4.572)	10 (254)	\$74	\$69	\$65	\$57	3/4 x 2-3/4 (19.05 - 70)	A
0.1800 (4.572)	16 (406)	\$80	\$73	\$67	\$58	3/4 x 2-3/4 (19.05 - 70)	A
0.1800 (4.572)	22 (559)	\$84	\$77	\$72	\$62	3/4 x 2-3/4 (19.05 - 70)	A
0.1850 (4.699)	10 (254)	\$75	\$69	\$65	\$57	3/4 x 2-3/4 (19.05 - 70)	A
0.1850 (4.699)	16 (406)	\$80	\$73	\$67	\$59	3/4 x 2-3/4 (19.05 - 70)	A
0.1850 (4.699)	22 (559)	\$84	\$77	\$70	\$63	3/4 x 2-3/4 (19.05 - 70)	A
0.1875 (4.763)	10 (254)	\$69	\$66	\$58	\$54	3/4 x 2-3/4 (19.05 - 70)	A
0.1875 (4.763)	16 (406)	\$75	\$69	\$65	\$57	3/4 x 2-3/4 (19.05 - 70)	A
0.1875 (4.763)	22 (559)	\$76	\$71	\$65	\$57	3/4 x 2-3/4 (19.05 - 70)	A
0.1875 (4.763)	28 (711)	\$86	\$80	\$73	\$64	3/4 x 2-3/4 (19.05 - 70)	A
0.1875 (4.763)	10 (254)	\$92	\$87	\$80	\$69	1/2 x 1-1/2 (12.7 - 38.1)	A
0.2031 (5.159)	10 (254)	\$70	\$65	\$58	\$53	3/4 x 2-3/4 (19.05 - 70)	A
0.2031 (5.159)	16 (406)	\$72	\$67	\$63	\$55	3/4 x 2-3/4 (19.05 - 70)	A
0.2031 (5.159)	22 (559)	\$77	\$71	\$67	\$57	3/4 x 2-3/4 (19.05 - 70)	A
0.2031 (5.159)	28 (711)	\$85	\$80	\$72	\$63	3/4 x 2-3/4 (19.05 - 70)	A
0.2031 (5.159)	36 (914)	\$90	\$86	\$77	\$68	3/4 x 2-3/4 (19.05 - 70)	A
0.2130 (5.410)	10 (254)	\$69	\$65	\$58	\$53	3/4 x 2-3/4 (19.05 - 70)	A
0.2130 (5.410)	16 (406)	\$73	\$69	\$64	\$55	3/4 x 2-3/4 (19.05 - 70)	A
0.2130 (5.410)	22 (559)	\$80	\$75	\$69	\$60	3/4 x 2-3/4 (19.05 - 70)	A
0.2130 (5.410)	28 (711)	\$82	\$77	\$72	\$62	3/4 x 2-3/4 (19.05 - 70)	A
0.2130 (5.410)	36 (914)	\$84	\$80	\$75	\$64	3/4 x 2-3/4 (19.05 - 70)	A
0.2187 (5.555)	10 (254)	\$69	\$65	\$58	\$52	3/4 x 2-3/4 (19.05 - 70)	A
0.2187 (5.555)	16 (406)	\$70	\$67	\$60	\$54	3/4 x 2-3/4 (19.05 - 70)	A

# Single Flute Gundrill Stock List



Diameter (inches/mm)	Overall (inches/mm)	1-3 Drills	4-5 Drills	6-11 Drills	12-25 Drills	Shank Size (inches/mm)	Shank Type
0.2187 (5.555)	22 (559)	\$75	\$69	\$66	\$57	3/4 x 2-3/4 (19.05 - 70)	A
0.2187 (5.555)	28 (711)	\$82	\$77	\$70	\$61	3/4 x 2-3/4 (19.05 - 70)	A
0.2187 (5.555)	36 (914)	\$88	\$82	\$76	\$67	3/4 x 2-3/4 (19.05 - 70)	A
0.2210 (5.613)	10 (254)	\$69	\$67	\$60	\$53	3/4 x 2-3/4 (19.05 - 70)	A
0.2210 (5.613)	16 (406)	\$72	\$69	\$63	\$55	3/4 x 2-3/4 (19.05 - 70)	A
0.2344 (5.954)	10 (254)	\$69	\$65	\$58	\$52	3/4 x 2-3/4 (19.05 - 70)	A
0.2344 (5.954)	16 (406)	\$69	\$67	\$60	\$53	3/4 x 2-3/4 (19.05 - 70)	A
0.2344 (5.954)	22 (559)	\$75	\$69	\$65	\$57	3/4 x 2-3/4 (19.05 - 70)	A
0.2344 (5.954)	28 (711)	\$80	\$75	\$69	\$61	3/4 x 2-3/4 (19.05 - 70)	A
0.2344 (5.954)	36 (914)	\$87	\$80	\$75	\$65	3/4 x 2-3/4 (19.05 - 70)	A
0.2362 (6.000)	10 (254)	\$69	\$65	\$59	\$52	3/4 x 2-3/4 (19.05 - 70)	A
0.2362 (6.000)	16 (406)	\$71	\$68	\$60	\$55	3/4 x 2-3/4 (19.05 - 70)	A
0.2362 (6.000)	22 (559)	\$76	\$72	\$65	\$57	3/4 x 2-3/4 (19.05 - 70)	A
0.2500 (6.350)	10 (254)	\$67	\$63	\$58	\$50	3/4 x 2-3/4 (19.05 - 70)	A
0.2500 (6.350)	16 (406)	\$70	\$65	\$58	\$53	3/4 x 2-3/4 (19.05 - 70)	A
0.2500 (6.350)	22 (559)	\$74	\$69	\$64	\$55	3/4 x 2-3/4 (19.05 - 70)	A
0.2500 (6.350)	28 (711)	\$80	\$75	\$69	\$59	3/4 x 2-3/4 (19.05 - 70)	A
0.2500 (6.350)	36 (914)	\$86	\$80	\$73	\$65	3/4 x 2-3/4 (19.05 - 70)	A
0.2500 (6.350)	48 (1219)	\$97	\$90	\$84	\$72	3/4 x 2-3/4 (19.05 - 70)	A
0.2570 (6.528)	10 (254)	\$69	\$64	\$58	\$52	3/4 x 2-3/4 (19.05 - 70)	A
0.2570 (6.528)	16 (406)	\$71	\$67	\$62	\$54	3/4 x 2-3/4 (19.05 - 70)	A
0.2570 (6.528)	22 (559)	\$74	\$70	\$63	\$57	3/4 x 2-3/4 (19.05 - 70)	A
0.2656 (6.746)	10 (254)	\$69	\$65	\$58	\$52	3/4 x 2-3/4 (19.05 - 70)	A
0.2656 (6.746)	16 (406)	\$70	\$67	\$60	\$53	3/4 x 2-3/4 (19.05 - 70)	A
0.2656 (6.746)	22 (559)	\$74	\$69	\$65	\$57	3/4 x 2-3/4 (19.05 - 70)	A
0.2656 (6.746)	28 (711)	\$80	\$75	\$69	\$60	3/4 x 2-3/4 (19.05 - 70)	A
0.2656 (6.746)	36 (914)	\$86	\$80	\$73	\$64	3/4 x 2-3/4 (19.05 - 70)	A
0.2812 (7.142)	10 (254)	\$70	\$65	\$59	\$53	3/4 x 2-3/4 (19.05 - 70)	A
0.2812 (7.142)	16 (406)	\$72	\$67	\$60	\$54	3/4 x 2-3/4 (19.05 - 70)	A
0.2812 (7.142)	22 (559)	\$75	\$69	\$65	\$57	3/4 x 2-3/4 (19.05 - 70)	A
0.2812 (7.142)	28 (711)	\$80	\$76	\$69	\$62	3/4 x 2-3/4 (19.05 - 70)	A
0.2812 (7.142)	36 (914)	\$86	\$80	\$74	\$65	3/4 x 2-3/4 (19.05 - 70)	A

Diameter (inches/mm)	Overall (inches/mm)	1-3 Drills	4-5 Drills	6-11 Drills	12-25 Drills	Shank Size (inches/mm)	Shank Type
0.2812 (7.142)	48 (1219)	\$99	\$91	\$85	\$74	3/4 x 2-3/4 (19.05 - 70)	A
0.2969 (7.541)	10 (254)	\$69	\$65	\$58	\$54	3/4 x 2-3/4 (19.05 - 70)	A
0.2969 (7.541)	16 (406)	\$69	\$66	\$59	\$56	3/4 x 2-3/4 (19.05 - 70)	A
0.2969 (7.541)	22 (559)	\$74	\$69	\$65	\$57	3/4 x 2-3/4 (19.05 - 70)	A
0.2969 (7.541)	28 (711)	\$80	\$74	\$69	\$61	3/4 x 2-3/4 (19.05 - 70)	A
0.2969 (7.541)	36 (914)	\$85	\$80	\$72	\$65	3/4 x 2-3/4 (19.05 - 70)	A
0.3125 (7.938)	10 (254)	\$72	\$69	\$63	\$54	3/4 x 2-3/4 (19.05 - 70)	A
0.3125 (7.938)	16 (406)	\$74	\$69	\$64	\$57	3/4 x 2-3/4 (19.05 - 70)	A
0.3125 (7.938)	22 (559)	\$77	\$71	\$66	\$57	3/4 x 2-3/4 (19.05 - 70)	A
0.3125 (7.938)	28 (711)	\$82	\$75	\$69	\$62	3/4 x 2-3/4 (19.05 - 70)	A
0.3125 (7.938)	36 (914)	\$87	\$81	\$75	\$65	3/4 x 2-3/4 (19.05 - 70)	A
0.3125 (7.938)	48 (1219)	\$100	\$91	\$85	\$74	3/4 x 2-3/4 (19.05 - 70)	A
0.3150 (8.000)	10 (254)	\$72	\$69	\$63	\$54	3/4 x 2-3/4 (19.05 - 70)	A
0.3150 (8.000)	16 (406)	\$74	\$69	\$64	\$57	3/4 x 2-3/4 (19.05 - 70)	A
0.3150 (8.000)	22 (559)	\$77	\$71	\$66	\$57	3/4 x 2-3/4 (19.05 - 70)	A
0.3150 (8.000)	36 (914)	\$87	\$82	\$74	\$65	3/4 x 2-3/4 (19.05 - 70)	A
0.3281 (8.334)	10 (254)	\$73	\$69	\$63	\$55	3/4 x 2-3/4 (19.05 - 70)	A
0.3281 (8.334)	16 (406)	\$74	\$69	\$65	\$57	3/4 x 2-3/4 (19.05 - 70)	A
0.3281 (8.334)	22 (559)	\$80	\$74	\$67	\$59	3/4 x 2-3/4 (19.05 - 70)	A
0.3281 (8.334)	28 (711)	\$83	\$77	\$70	\$62	3/4 x 2-3/4 (19.05 - 70)	A
0.3281 (8.334)	36 (914)	\$87	\$82	\$75	\$65	3/4 x 2-3/4 (19.05 - 70)	A
0.3437 (8.730)	10 (254)	\$74	\$69	\$64	\$57	3/4 x 2-3/4 (19.05 - 70)	A
0.3437 (8.730)	16 (406)	\$76	\$70	\$65	\$57	3/4 x 2-3/4 (19.05 - 70)	A
0.3437 (8.730)	22 (559)	\$80	\$74	\$69	\$59	3/4 x 2-3/4 (19.05 - 70)	A
0.3437 (8.730)	28 (711)	\$84	\$77	\$70	\$62	3/4 x 2-3/4 (19.05 - 70)	A
0.3437 (8.730)	36 (914)	\$88	\$81	\$75	\$64	3/4 x 2-3/4 (19.05 - 70)	A
0.3437 (8.730)	48 (1219)	\$101	\$92	\$86	\$74	3/4 x 2-3/4 (19.05 - 70)	A
0.3543 (9.000)	10 (254)	\$71	\$67	\$63	\$56	3/4 x 2-3/4 (19.05 - 70)	A
0.3543 (9.000)	16 (406)	\$74	\$69	\$65	\$57	3/4 x 2-3/4 (19.05 - 70)	A
0.3543 (9.000)	22 (559)	\$76	\$71	\$66	\$58	3/4 x 2-3/4 (19.05 - 70)	A
0.3594 (9.129)	10 (254)	\$75	\$70	\$66	\$57	3/4 x 2-3/4 (19.05 - 70)	A
0.3594 (9.129)	16 (406)	\$77	\$72	\$67	\$58	3/4 x 2-3/4 (19.05 - 70)	A

# Single Flute Gundrill

## Stock List



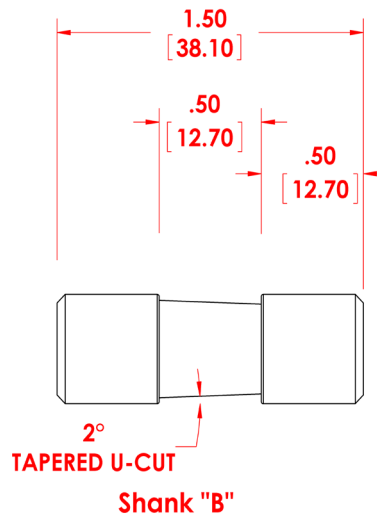
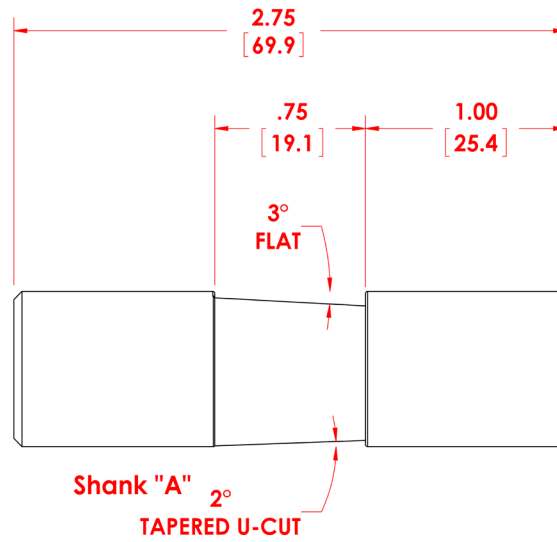
Diameter (inches/mm)	Overall (inches/mm)	1-3 Drills	4-5 Drills	6-11 Drills	12-25 Drills	Shank Size (inches/mm)	Shank Type
0.3594 (9.129)	22 (559)	\$80	\$74	\$69	\$60	3/4 x 2-3/4 (19.05 - 70)	A
0.3594 (9.129)	28 (711)	\$84	\$80	\$71	\$62	3/4 x 2-3/4 (19.05 - 70)	A
0.3594 (9.129)	36 (914)	\$88	\$82	\$75	\$67	3/4 x 2-3/4 (19.05 - 70)	A
0.3750 (9.525)	10 (254)	\$76	\$71	\$66	\$57	3/4 x 2-3/4 (19.05 - 70)	A
0.3750 (9.525)	16 (406)	\$77	\$71	\$67	\$58	3/4 x 2-3/4 (19.05 - 70)	A
0.3750 (9.525)	22 (559)	\$84	\$77	\$70	\$63	3/4 x 2-3/4 (19.05 - 70)	A
0.3750 (9.525)	28 (711)	\$86	\$80	\$71	\$64	3/4 x 2-3/4 (19.05 - 70)	A
0.3750 (9.525)	36 (914)	\$89	\$83	\$75	\$67	3/4 x 2-3/4 (19.05 - 70)	A
0.3750 (9.525)	48 (1219)	\$101	\$94	\$88	\$79	3/4 x 2-3/4 (19.05 - 70)	A
0.3906 (9.921)	10 (254)	\$79	\$73	\$67	\$59	3/4 x 2-3/4 (19.05 - 70)	A
0.3906 (9.921)	16 (406)	\$80	\$74	\$68	\$60	3/4 x 2-3/4 (19.05 - 70)	A
0.3906 (9.921)	22 (559)	\$83	\$77	\$71	\$63	3/4 x 2-3/4 (19.05 - 70)	A
0.3906 (9.921)	28 (711)	\$85	\$80	\$74	\$65	3/4 x 2-3/4 (19.05 - 70)	A
0.3906 (9.921)	36 (914)	\$90	\$84	\$76	\$67	3/4 x 2-3/4 (19.05 - 70)	A
0.3906 (9.921)	48 (1219)	\$76	\$71	\$65	\$57	3/4 x 2-3/4 (19.05 - 70)	A
0.3937 (10.000)	10 (254)	\$77	\$72	\$66	\$58	3/4 x 2-3/4 (19.05 - 70)	A
0.3937 (10.000)	16 (406)	\$80	\$74	\$69	\$59	3/4 x 2-3/4 (19.05 - 70)	A
0.3937 (10.000)	22 (559)	\$84	\$80	\$73	\$63	3/4 x 2-3/4 (19.05 - 70)	A
0.3937 (10.000)	28 (711)	\$86	\$82	\$76	\$66	3/4 x 2-3/4 (19.05 - 70)	A
0.3937 (10.000)	36 (914)	\$90	\$84	\$77	\$67	3/4 x 2-3/4 (19.05 - 70)	A
0.3937 (10.000)	48 (1219)	\$102	\$97	\$87	\$77	3/4 x 2-3/4 (19.05 - 70)	A
0.4062 (10.317)	10 (254)	\$77	\$73	\$67	\$58	3/4 x 2-3/4 (19.05 - 70)	A
0.4062 (10.317)	16 (406)	\$80	\$75	\$69	\$59	3/4 x 2-3/4 (19.05 - 70)	A
0.4062 (10.317)	22 (559)	\$84	\$80	\$73	\$63	3/4 x 2-3/4 (19.05 - 70)	A
0.4062 (10.317)	28 (711)	\$86	\$80	\$74	\$64	3/4 x 2-3/4 (19.05 - 70)	A
0.4062 (10.317)	36 (914)	\$90	\$84	\$77	\$67	3/4 x 2-3/4 (19.05 - 70)	A
0.4062 (10.317)	48 (1219)	\$102	\$97	\$87	\$77	3/4 x 2-3/4 (19.05 - 70)	A
0.4375 (11.113)	10 (254)	\$80	\$74	\$67	\$59	3/4 x 2-3/4 (19.05 - 70)	A
0.4375 (11.113)	16 (406)	\$81	\$75	\$69	\$60	3/4 x 2-3/4 (19.05 - 70)	A
0.4375 (11.113)	22 (559)	\$86	\$80	\$73	\$65	3/4 x 2-3/4 (19.05 - 70)	A
0.4375 (11.113)	28 (711)	\$87	\$81	\$75	\$65	3/4 x 2-3/4 (19.05 - 70)	A
0.4375 (11.113)	36 (914)	\$91	\$86	\$80	\$69	3/4 x 2-3/4 (19.05 - 70)	A

Diameter (inches/mm)	Overall (inches/mm)	1-3 Drills	4-5 Drills	6-11 Drills	12-25 Drills	Shank Size (inches/mm)	Shank Type
0.4375 (11.113)	48 (1219)	\$103	\$98	\$88	\$77	3/4 x 2-3/4 (19.05 - 70)	A
0.4531 (11.509)	10 (254)	\$80	\$74	\$69	\$59	3/4 x 2-3/4 (19.05 - 70)	A
0.4531 (11.509)	16 (406)	\$81	\$76	\$69	\$51	3/4 x 2-3/4 (19.05 - 70)	A
0.4531 (11.509)	22 (559)	\$86	\$80	\$74	\$64	3/4 x 2-3/4 (19.05 - 70)	A
0.4531 (11.509)	28 (711)	\$87	\$82	\$74	\$65	3/4 x 2-3/4 (19.05 - 70)	A
0.4531 (11.509)	36 (914)	\$92	\$87	\$80	\$70	3/4 x 2-3/4 (19.05 - 70)	A
0.4531 (11.509)	48 (1219)	\$103	\$98	\$90	\$77	3/4 x 2-3/4 (19.05 - 70)	A
0.4687 (11.905)	10 (254)	\$76	\$74	\$69	\$59	3/4 x 2-3/4 (19.05 - 70)	A
0.4687 (11.905)	16 (406)	\$80	\$76	\$70	\$61	3/4 x 2-3/4 (19.05 - 70)	A
0.4687 (11.905)	22 (559)	\$87	\$81	\$74	\$64	3/4 x 2-3/4 (19.05 - 70)	A
0.4687 (11.905)	28 (711)	\$89	\$82	\$76	\$67	3/4 x 2-3/4 (19.05 - 70)	A
0.4687 (11.905)	36 (914)	\$92	\$86	\$80	\$69	3/4 x 2-3/4 (19.05 - 70)	A
0.4687 (11.905)	48 (1219)	\$103	\$98	\$90	\$77	3/4 x 2-3/4 (19.05 - 70)	A
0.4844 (12.304)	10 (254)	\$80	\$75	\$69	\$64	3/4 x 2-3/4 (19.05 - 70)	A
0.4844 (12.304)	16 (406)	\$82	\$76	\$70	\$61	3/4 x 2-3/4 (19.05 - 70)	A
0.4844 (12.304)	22 (559)	\$86	\$81	\$74	\$65	3/4 x 2-3/4 (19.05 - 70)	A
0.4844 (12.304)	28 (711)	\$90	\$84	\$76	\$67	3/4 x 2-3/4 (19.05 - 70)	A
0.4844 (12.304)	36 (914)	\$92	\$87	\$80	\$68	3/4 x 2-3/4 (19.05 - 70)	A
0.5000 (12.700)	10 (254)	\$80	\$76	\$69	\$59	3/4 x 2-3/4 (19.05 - 70)	A
0.5000 (12.700)	16 (406)	\$82	\$77	\$71	\$61	3/4 x 2-3/4 (19.05 - 70)	A
0.5000 (12.700)	22 (559)	\$86	\$80	\$74	\$65	3/4 x 2-3/4 (19.05 - 70)	A
0.5000 (12.700)	28 (711)	\$90	\$80	\$74	\$67	3/4 x 2-3/4 (19.05 - 70)	A
0.5000 (12.700)	36 (914)	\$93	\$88	\$81	\$71	3/4 x 2-3/4 (19.05 - 70)	A
0.5000 (12.700)	48 (1219)	\$107	\$99	\$90	\$78	3/4 x 2-3/4 (19.05 - 70)	A
0.5156 (13.096)	16 (406)	\$85	\$80	\$71	\$63	1 x 2-3/4 (25.4 x 70)	A
0.5156 (13.096)	22 (559)	\$87	\$82	\$75	\$65	1 x 2-3/4 (25.4 x 70)	A
0.5156 (13.096)	36 (914)	\$98	\$90	\$82	\$71	1 x 2-3/4 (25.4 x 70)	A
0.5312 (13.492)	16 (406)	\$85	\$80	\$73	\$64	1 x 2-3/4 (25.4 x 70)	A
0.5312 (13.492)	22 (559)	\$88	\$82	\$75	\$67	1 x 2-3/4 (25.4 x 70)	A
0.5312 (13.492)	36 (914)	\$97	\$90	\$82	\$73	1 x 2-3/4 (25.4 x 70)	A
0.5312 (13.492)	48 (1219)	\$109	\$101	\$94	\$81	1 x 2-3/4 (25.4 x 70)	A
0.5469 (13.891)	16 (406)	\$86	\$80	\$75	\$65	1 x 2-3/4 (25.4 x 70)	A



# Single Flute Gundrill Standard Drivers

**NOTE:**  
Inch  
[ Metric ]



\*Pricing Effective 2018



**Star SU LLC**  
5200 Prairie Stone Parkway,  
Suite 100  
Hoffman Estates, IL 60192  
Tel.: 847 649 1450  
Fax: 847 649 0112  
e-mail: sales@star-su.com  
web: www.star-su.com

**Star Cutter Company**  
23461 Industrial Park Drive  
Farmington Hills, MI 49629-0728  
Tel.: 231 264 5661  
Fax: 231 264 5663  
e-mail: sales@starcutter.com  
web: www.starcutter.com

